

COMPACT

P.C.

An industry standard 1.0 / 1.2kw P.C. with a 150mm (6") PC lens. The adjustable cone of light has a crisper edge than a Fresnel, and is easily blended with adjacent beams to provide even illumination. Constructed of pressure die-castings and aluminium extrusion, the Compact PC offers efficiency, strength and performance.

FEATURES

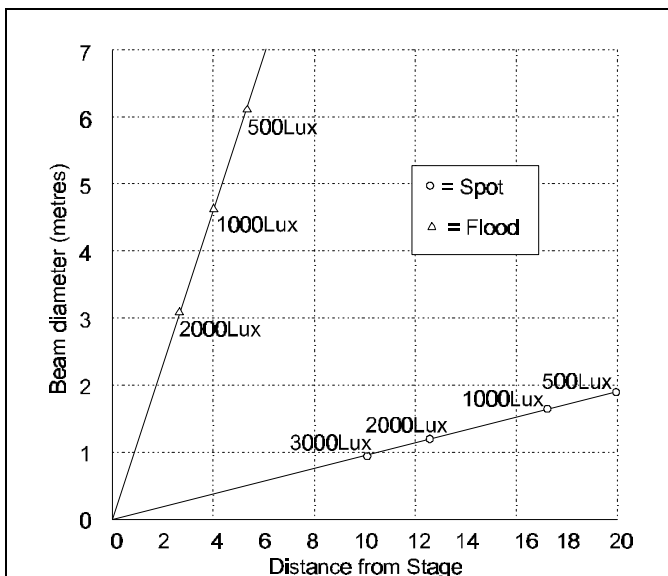
- Wide range of beam angle from 5 to 60 degrees
- Adjustable yoke balance point
- 'Swing-down' door for easy access to lamp or cleaning. Disconnects mains power supply.
- Smooth focus 'posi-slide' focus system with no metal to metal contact.
- Available in pole-operated version.
- Fully tested and compliant to CE standards

PHOTOMETRIC DATA

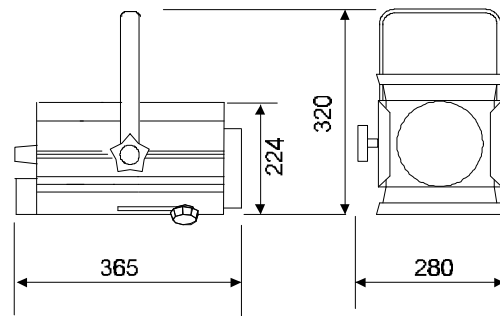
Tests conducted using a standard T29, 1200w, 240v, 27,600 lumens lamp.

Beam angles:

Spot 5°	306,600	Flood 60°	15,840cd
Field: 6.5°			66°



PHYSICAL DATA



Weight: 5.4 Kg
 Packed Weight: 6.3Kg
 Carton Size: 275 x 250 x 438
 Carton Size Cubic: 0.03

Colour Frame Size: 185mm x 185mm (DIN Std)

Included: 1 x colour frame, 1 x M12 nut & bolt set, instruction sheet

ORDER CODES & ACCESSORIES

Compact P.C.	10CPC12MS
Compact P.C. - pole op.	10CP12PO
Barndoor	20BDSF10
Lens Safety Mesh	20SM6
Suspension Hookclamp	20HC
Safety Bond	20SC

Your Selecon Distributor